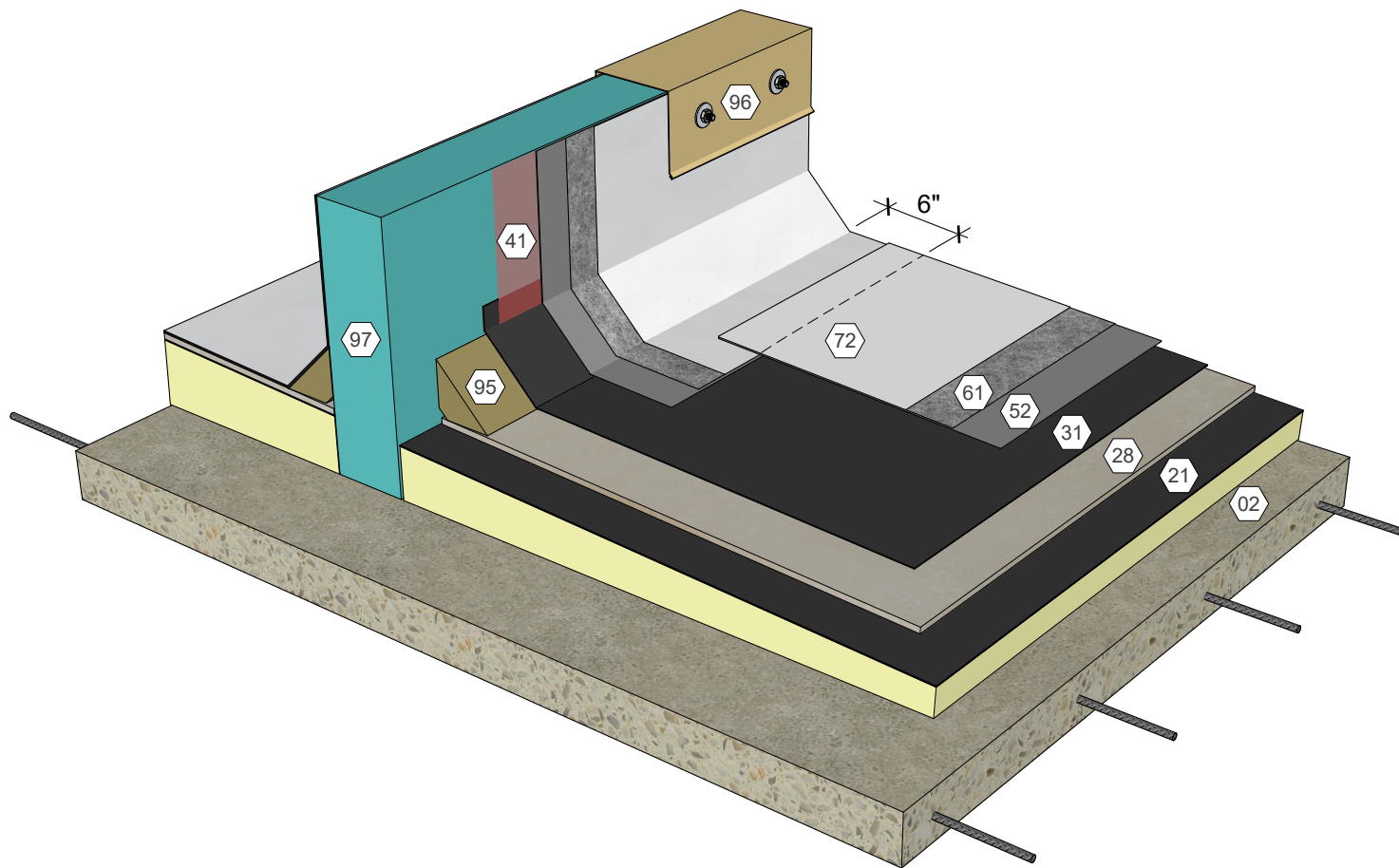


## KEY NOTES

- 01 Metal Deck
- 09 Roof Structure
- 22 Polyisocyanurate Insulation (Fastened or Adhered)
- 28 Cover Board (Adhered)
- 31 Approved Base Ply Sheet
- 41 Approved Primer
- 52 AlphaGuard BIO Base Coat
- 61 AlphaGuard Glass Mat or Permafab
- 72 AlphaGuard BIO Top Coat
- 95 Cant Strip
- 96 Metal Coping
- 97 Prefabricated Curb

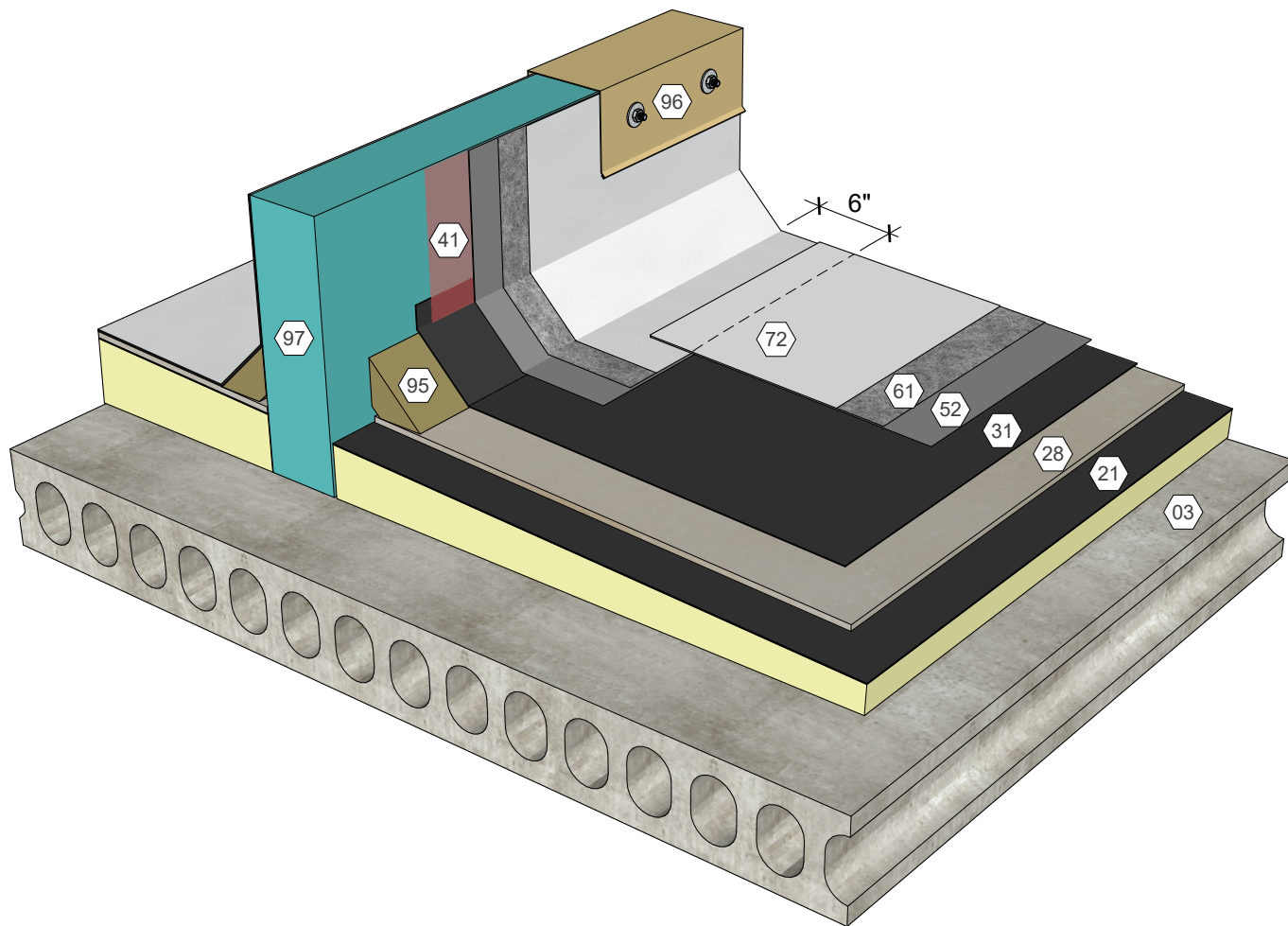
AlphaGuard® BIO Plus Equipment Support Detail, Metal Deck  
Detail 23101



### KEY NOTES

- 02 Structural Concrete Deck
- 21 Polyisocyanurate Insulation (Adhered)
- 28 Cover Board (Adhered)
- 31 Approved Base Ply Sheet
- 41 Approved Primer
- 52 AlphaGuard BIO Base Coat
- 61 AlphaGuard Glass Mat or Permafab
- 72 AlphaGuard BIO Top Coat
- 95 Cant Strip
- 96 Metal Coping
- 97 Prefabricated Curb

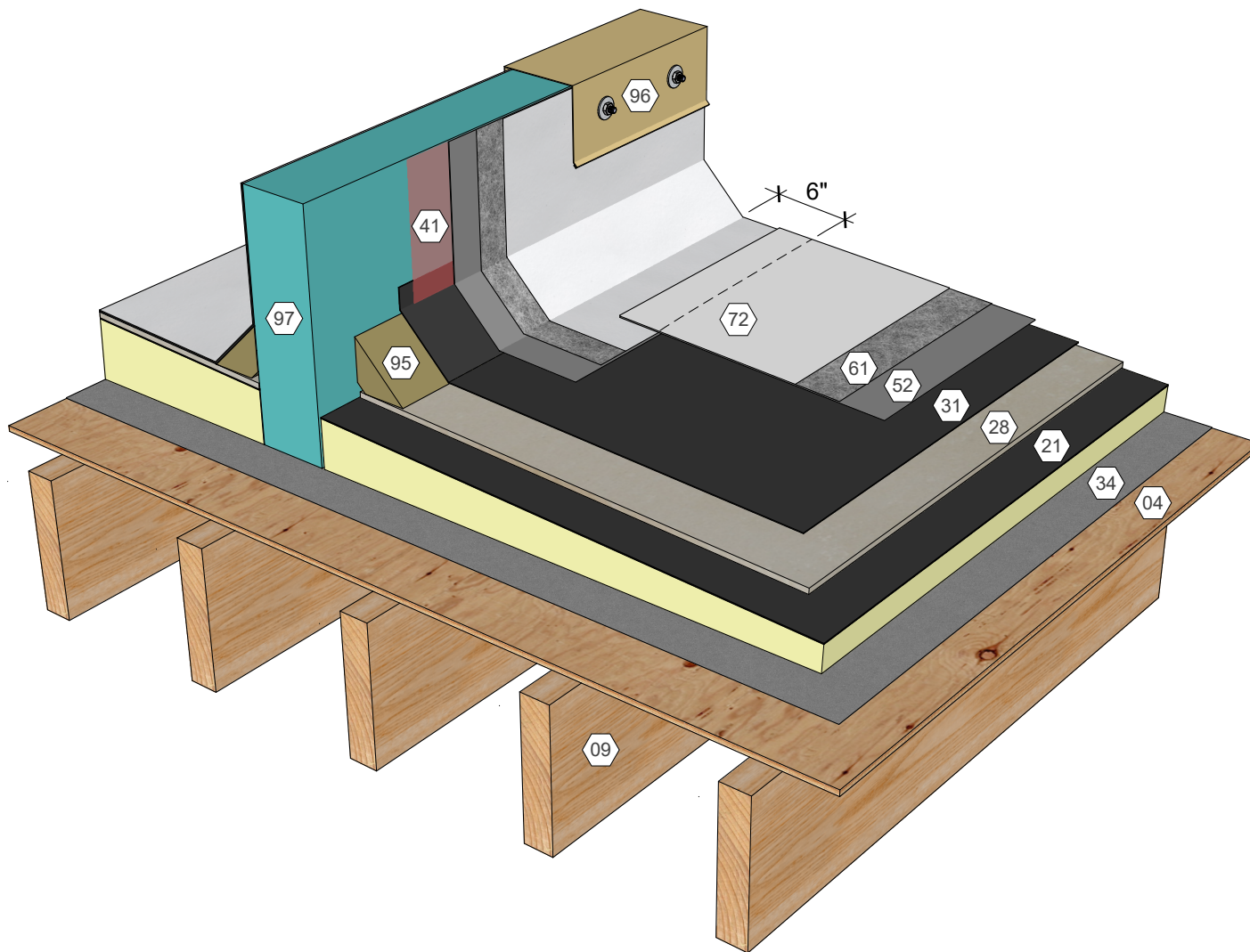
AlphaGuard® BIO Plus Equipment Support Detail, Structural Concrete Deck  
Detail 23102



## KEY NOTES

- 03 Precast Concrete Deck
- 21 Polyisocyanurate Insulation (Adhered)
- 28 Cover Board (Adhered)
- 31 Approved Base Ply Sheet
- 41 Approved Primer
- 52 AlphaGuard BIO Base Coat
- 61 AlphaGuard Glass Mat or Permafab
- 72 AlphaGuard BIO Top Coat
- 95 Cant Strip
- 96 Metal Coping
- 97 Prefabricated Curb

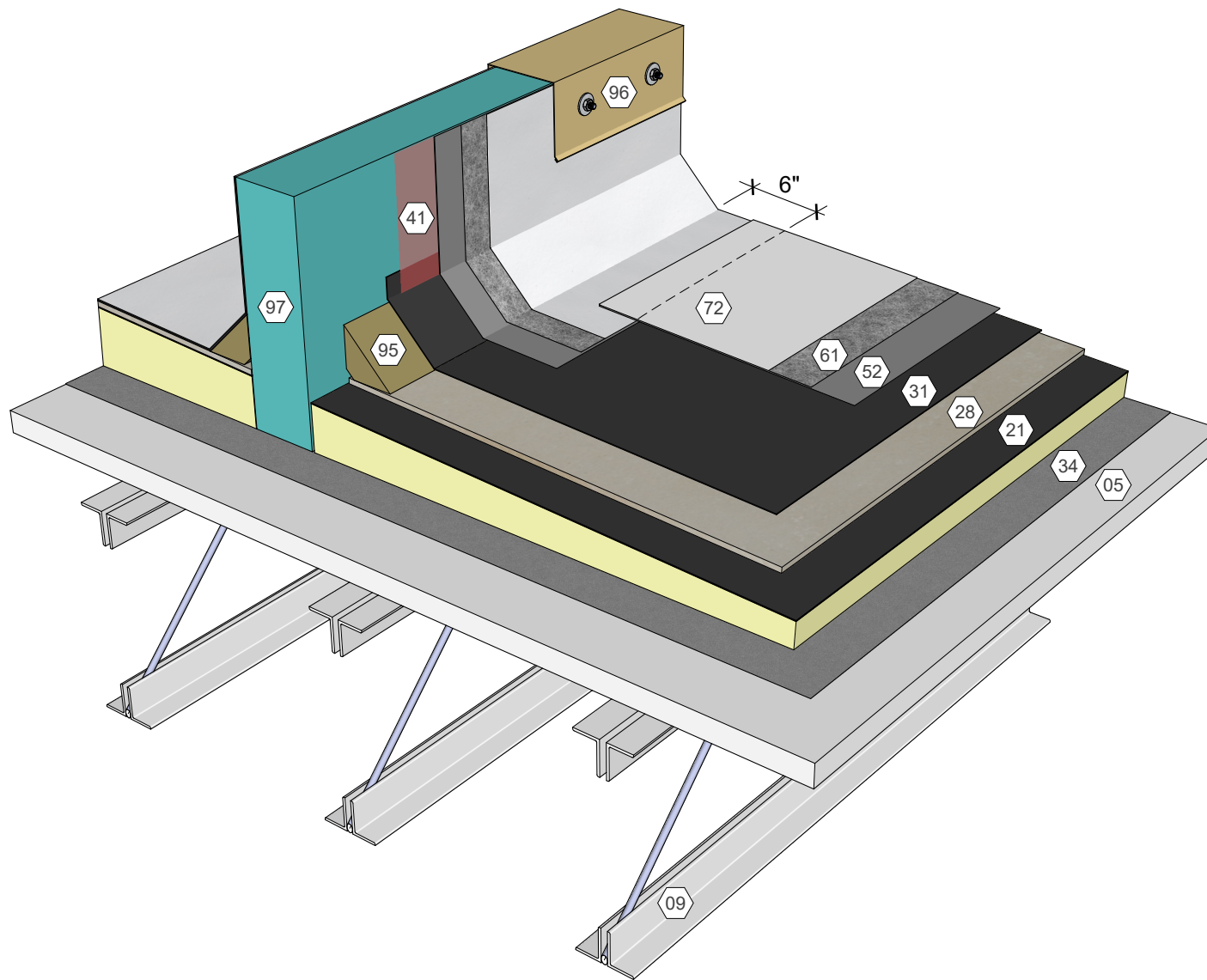
AlphaGuard® BIO Plus Equipment Support Detail, Precast Concrete Deck  
Detail 23103



### KEY NOTES

- 04 Wood Deck
- 09 Roof Structure
- 21 Polyisocyanurate Insulation (Adhered)
- 28 Cover Board (Adhered)
- 31 Approved Base Ply Sheet
- 34 Base Sheet (Fastened)
- 41 Approved Primer
- 52 AlphaGuard BIO Base Coat
- 61 AlphaGuard Glass Mat or Permafab
- 72 AlphaGuard BIO Top Coat
- 95 Cant Strip
- 96 Metal Coping
- 97 Prefabricated Curb

AlphaGuard® BIO Plus Equipment Support Detail, Wood Deck  
Detail 23104



## KEY NOTES

- 05 Gypsum Deck
- 09 Roof Structure
- 21 Polyisocyanurate Insulation (Adhered)
- 28 Cover Board (Adhered)
- 31 Approved Base Ply Sheet
- 34 Base Sheet (Fastened)
- 41 Approved Primer
- 52 AlphaGuard BIO Base Coat
- 61 AlphaGuard Glass Mat or Permafab
- 72 AlphaGuard BIO Top Coat
- 95 Cant Strip
- 96 Metal Coping
- 97 Prefabricated Curb

AlphaGuard® BIO Plus Equipment Support Detail, Gypsum Deck  
Detail 23105